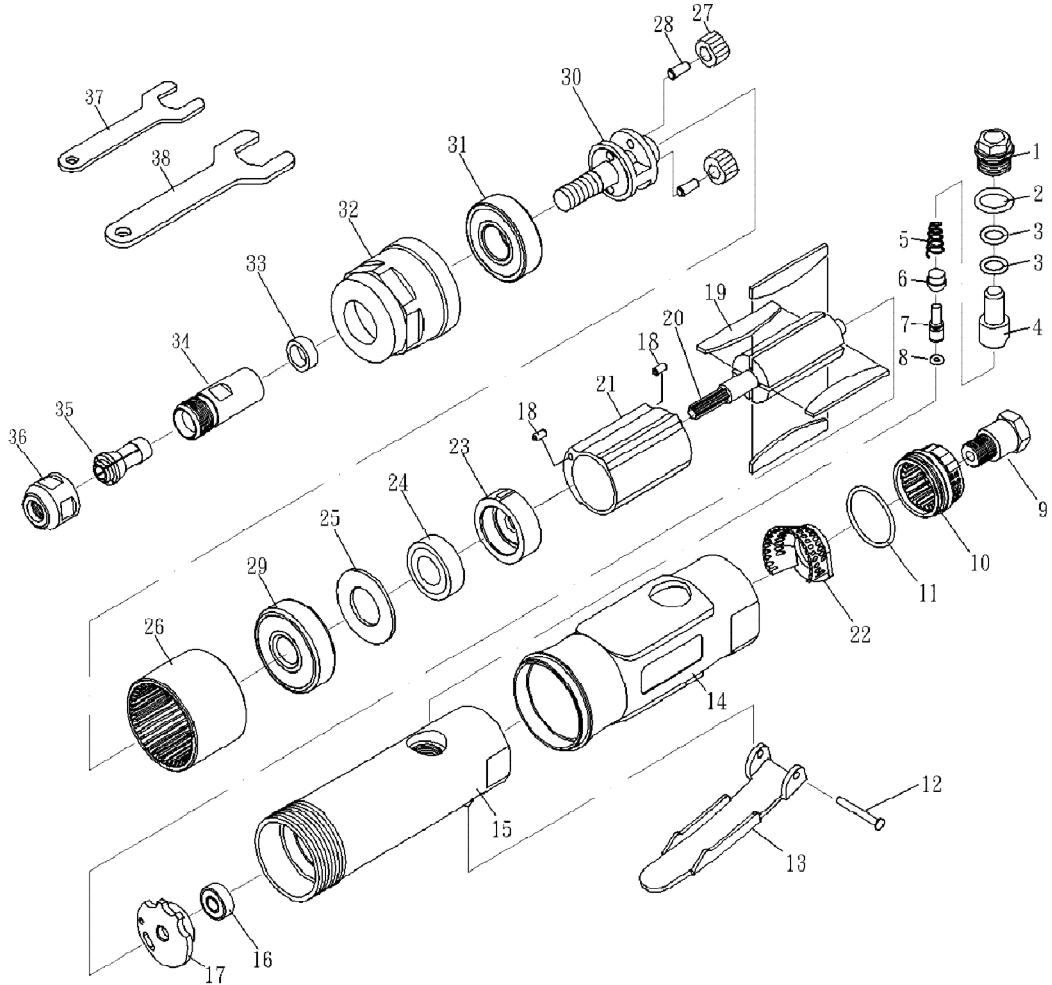


Model No. A11-E2908

6MM LOW SPEED AIR DIE GRINDER



Part No.	Description	Q'ty	Part No.	Description	Q'ty	Part No.	Description	Q'ty
01	Screw	1	14	Protecting Rubber	1	27	Idler Gear(16T)	2
02	O-Ring(P-12)	1	15	Housing	1	28	Idler Gear Pin	2
03	O-Ring(P8)	2	16	Bearing(696ZZ)	1	29	Bearing(6001Z)	1
04	Air Regulator	1	17	Rear Plate	1	30	Gear Plate	1
05	Spring	1	18	Pin	2	31	Bearing(6200ZZ)	1
06	Valve Stem Bushing	1	19	Rotor Blade	4	32	Clamp Nut	1
07	Valve Stem	1	20	Rotor (9T)	1	33	Washer	1
08	O-Ring(3.5*1.4)	1	21	Cylinder	1	34	Spindle	1
09	Air Inlet	1	22	Cone Muffler	1	35	Collet	1
10	Exhaust Sleeve	1	23	Front Plate	1	36	Collet Nut	1
11	O-Ring(26.7*1.78)	1	24	Bearing(608ZZ)	1	37	Stop Spanner(14M/M)	1
12	Spring Pin	1	25	Washer	1	38	Stop Spanner(19M/M)	1
13	Lever	1	26	Gear Link	1			