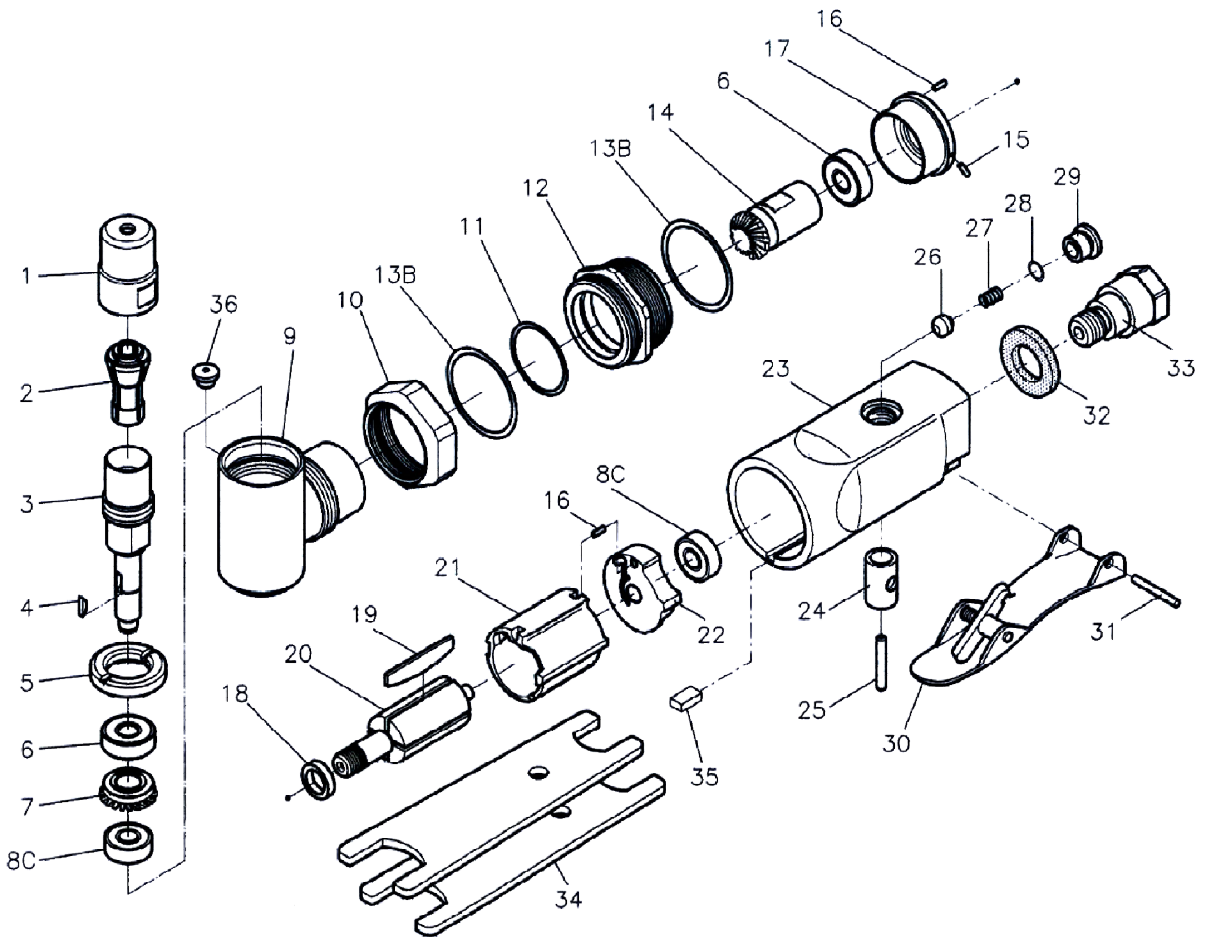


Model No. A11-M1510

1/4" MINI ANGLE DIE GRINDER



Part No.	Description	Q'ty	Part No.	Description	Q'ty
1	Collect Nut	1	20	Rotor	1
2	Collect (6mm)	1	21	Cylinder	1
3	Spindle	1	22	Rear End Plate	1
4	Key	1	23	Motor Housing	1
5	Angle Housing Nut	1	24	Bushing	1
6	Ball Bearing	2	25	Pin	1
7	Spiral Bevel Gear	1	26	Valve Throttle	1
8C	Ball Bearing	2	27	Spring	1
9	Angle Housing	1	28	O-Ring	1
10	Nut	1	29	Valve Plug	1
11	O-Ring	1	30	Throttle Lever	1
12	Clamp Nut	1	31	Spring Pin	1
13B	O-Ring	2	32	Copper Muffler	1
14	Spiral Bevel Gear	1	33	Air Inlet (1/4"PF)	1
15	Spring Pin	1		Air Inlet (1/4"PT)	
16	Spring Pin	2		Air Inlet (1/4"NPT)	
17	Front End Plate	1	34	Double Ended Wrench	2