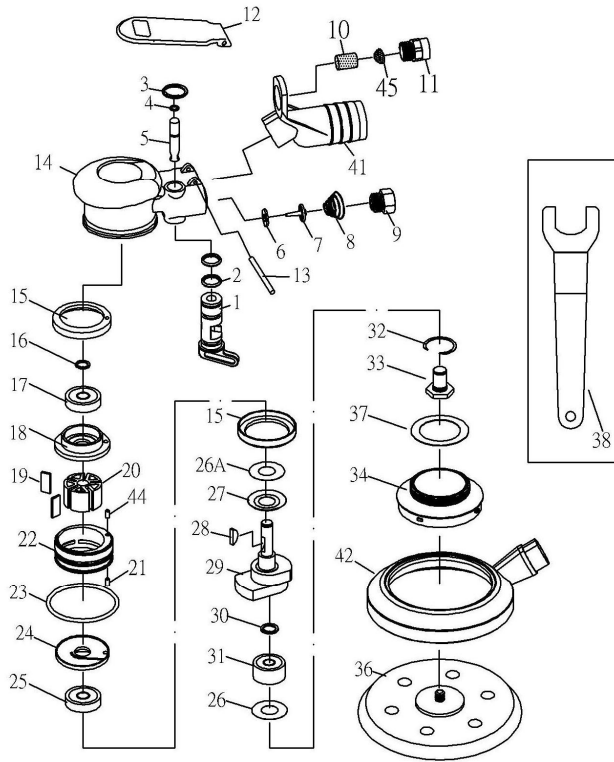


Model No. A12-E2910C

6" RANDOM ORBITAL SANDER (6")



Part No.	Description	Q'ty	Part No.	Description	Q'ty	Part No.	Description	Q'ty
1	Regulator	1	16	Snap Ring	1	30	Snap Ring	1
2	O-Ring	2	17	Bearing (6000ZZ)	1	31	Bearing (5001)	1
3	Snap Ring	1	18	Rear Plate	1	32	Snap Ring	1
4	O-Ring	1	19	RotorBlade	5	33	Shaft	1
5	Valve Stem	1	20	Rotor	1	34	Housing Cover	1
6	Washer	1	21	Pin (3*8)	1	36	Pad Hook-Up (C6)	1
7	Valve	1	22	Cylinder	1	37	Washer	1
8	Spring	1	23	O-ring	1	38	Stop Spanner	1
9	Air Inlet	1	24	Front Plate	1	41	Vacuum Adapter	1
10	Silencer	1	25	Bearing (6002ZZ)	1	42	Shroud	1
11	Exhaust Sleeve	1	26	Washer (0.5M/M)	1	44	Pin (3*14L)	1
12	Lever	1	26A	Washer (0.4M/M)	1	45	Stainless Mesh	1
13	Pin (3.3*26)	1	27	Washer (0.2M/M)	1			
14	Housing	1	28	Rotor Key	1			
15	Rubber Bushing	2	29	Motor Shaft Balancer (6")	1			