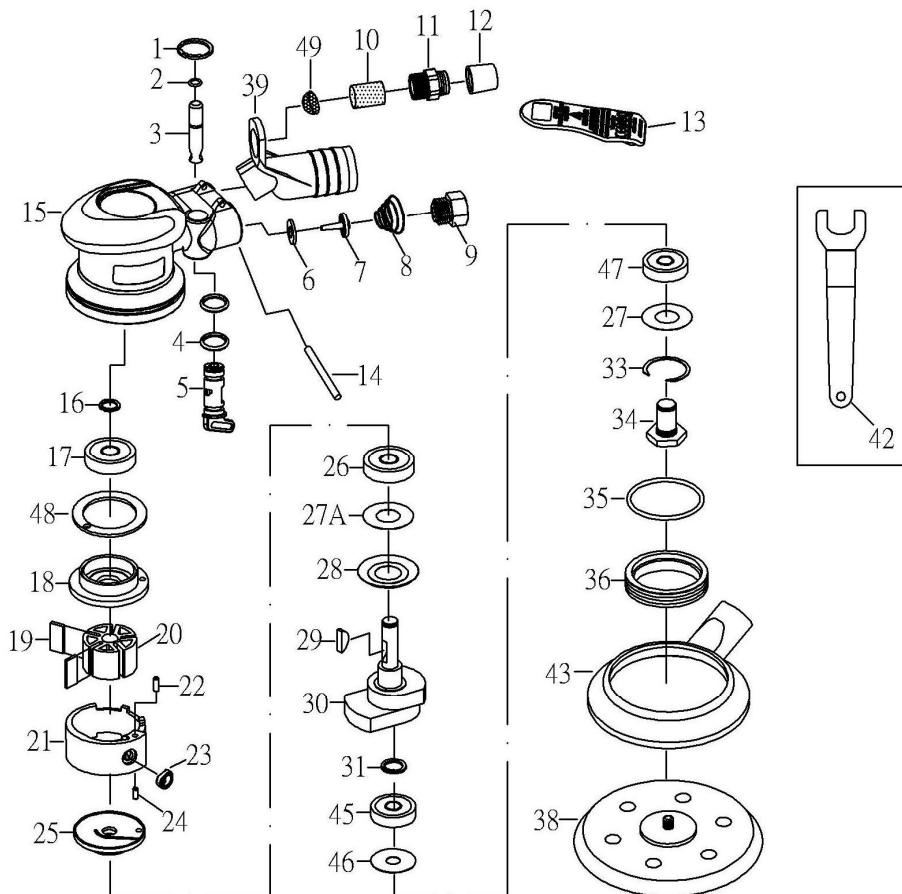


Model No. A12-E2946C

6" RANDOM ORBITAL SANDER (CENTRAL VACUUM)



Part No.	Description	Q'ty	Part No.	Description	Q'ty	Part No.	Description	Q'ty
1	SNAP RING (ISTW12)	1	18	REAR PLATE	1	35	O-RING (G40)	1
2	O-RING (3.5*1.4)	1	19	ROTOR BLADE	5	36	LOCK NUT	1
3	VALVE STEM	1	20	ROTOR	1	38	PAD HOOK-UP	1
4	O-RING (P10)	2	21	CYLINDER	1	39	VACUUM ADAPTER	1
5	REGULATOR	1	22	PIN (3*13L)	1	42	STOP SPANNER (22MM)	1
6	WASHER	1	23	O-RING (AS010)	1	43	SHROUD	1
7	VALVE	1	24	PIN (3*8)	1	45	BEARING (6001LU)	1
8	SPRING	1	25	FRONT PLATE	1	46	SHIM	1
9	AIR INLET	1	26	BEARING (6002ZZ)	1	47	BEARING (6001)	1
10	MUFFLER COTTON	1	27	WASHER (0.5MM)	1	48	RUBBER WASHER	1
11	EXHAUST	1	27A	WASHER (0.4MM)	1	49	STAINLESS MESH	1
12	SLEEVE	2	28	WASHER	1			
13	LEVER	1	29	KEY	1			
14	PIN (3.3*26L)	1	30	MOTOR SHAFT BALANCE (6")	1			
15	HOUSING	1	31	SNAP RING (ISTW12)	1			
16	RETAINING RING (STW1)	1	33	SNAP RING	1			
17	BEARING (6000ZZ)	1	34	SHAFT	1			