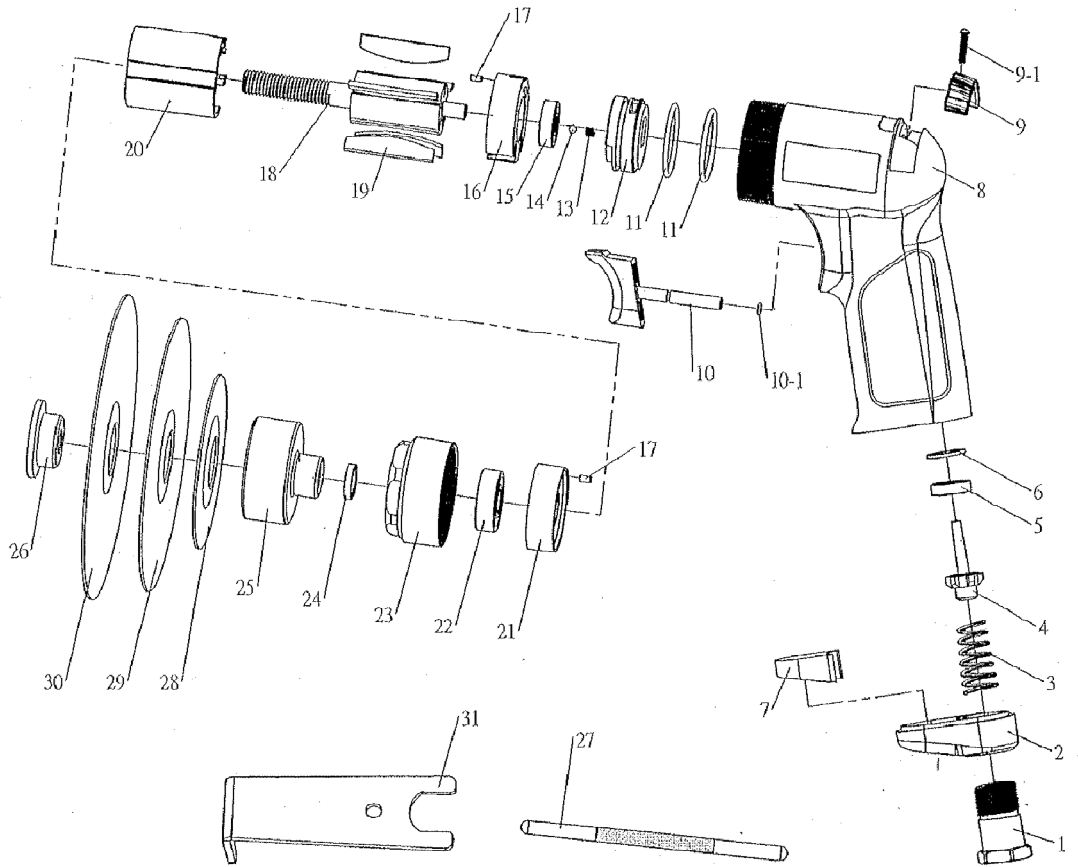


# **Model No. A12-E6003**

## **5" HIGH SPEED SANDER**



Part No.	Description	Q'ty	Part No.	Description	Q'ty	Part No.	Description	Q'ty
1	Inlet Bushing	1	11	O-Ring(27x2)	2	23	Front Housing	1
2	Deflector	1	12	Valve Body	1	24	Anvil Bushing	1
3	Valve Spring	1	13	Spring	1	25	Support	1
4	Valve	1	14	Detent Ball	1	26	Nut	1
5	Valve Seat	1	15	Ball Bearing	1	37	Adjust Pole	1
6	Spacer	1	16	Rear Plate	1	28	3" Pad	1
7	Silencer	1	17	Spring Pin	2	29	4.5" Pad	1
8	Composite Housing	1	18	Rotor	1	30	5" Pad	1
9	Reverse Valve Lever	1	19	Rotor Blade	5	31	Angle Endcd Spanner	1
9-1	Taping Screw(Ø2.3x12L)	1	20	Cylinder	1			
10	Trigger	1	21	Front Plate	1			
10-1	O-Ring(3x1)	1	22	Ball Bearing	1			