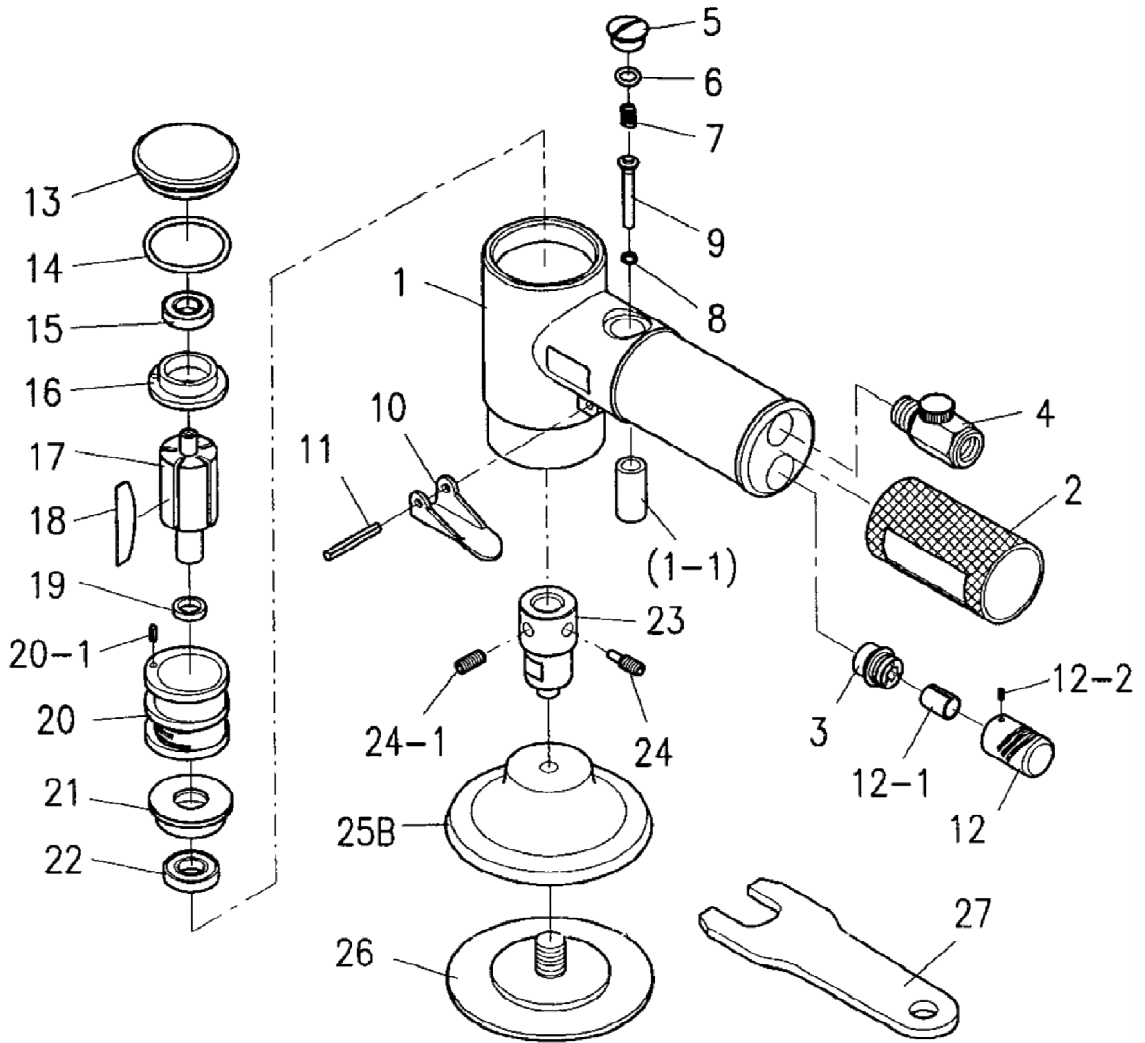


Model No. A12-L5028

3" ANGLE SANDER & GRINDER



Part No.	Description	Q'ty	Part No.	Description	Q'ty	Part No.	Description	Q'ty
1	Body	1	11	Spring Pin	1	20-1	Spring Pin	1
1-1	Copper Cover	1	12	Exhaust	1	21	Front End Plate	1
2	Rubber Sleeve	1	12-1	Exhaust Cotton	1	22	Ball Bearing	1
3	Stand Of Muffler	1	12-2	Screw	1	23	Partial Spindle(3mm)	1
4	Regulator Assembly	1set	13	Cap	1	24	Set Screw	1
5	Plug	1	14	O-Ring	1	24-1	Set Screw	1
6	O-Ring	1	15	Ball Bearing	1	25	2" Pad Base	1
7	Spring	1	16	Rear End Plate	1	25B	3" Pad Base	1
8	O-Ring	1	17	Rotor	1	26	2" Pad Abrasive Paper#80	1
9	Valve Pin	1	18	Rotor Bakelite	5	26-1	3" Pad Abrasive Paper#80	1
10	Lever Assembly	1	19	Collar	1	27	Spanner(14mm)	1
10-1	Lever Assembly(long)	1	20	Cylinder	1			