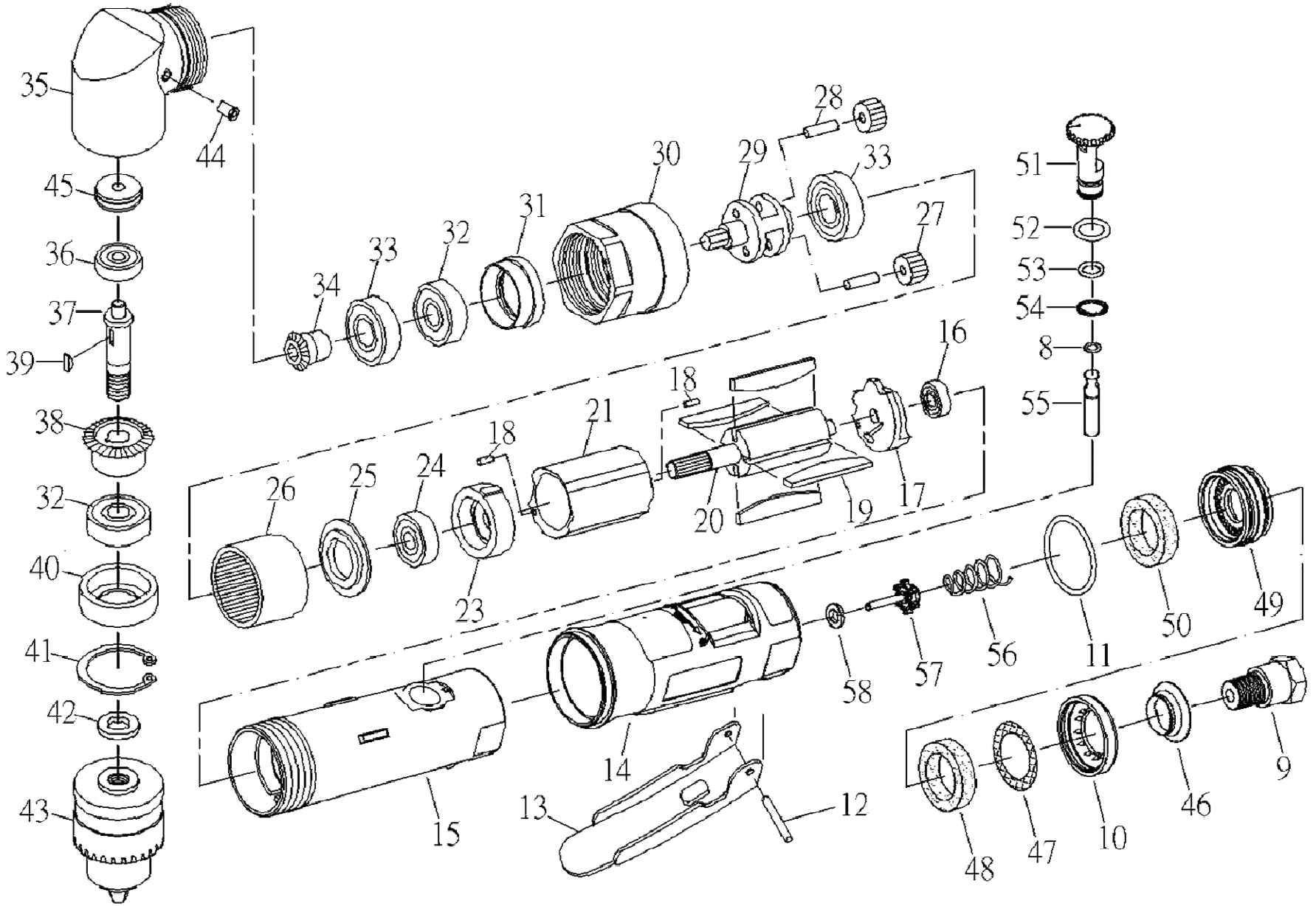


Model No. A14-E2901

3/8" AIR ANGLE DRILL (LOW NOISE)



Part No.	Description	Q'ty	Part No.	Description	Q'ty	Part No.	Description	Q'ty
08	O-Ring (3.5*1.4)	1	26	Thrad Ring Gear	1	43	3/8"Chuck	1
09	Air Inlet	1	27	Idler Gear (16T)	2	44	Oil Cup	1
10	Exhaust Sleeve	1	28	Idler Gear Pin	2	45	Bearing	1
11	O-Ring (26.7*1.78)	1	29	Idler Gear Plate	1	46	Muffler Body	1
12	Spring Pin (3*24)	1	30	Clamp Nut	1	47	Stainless Mesh	1
13	Lever	1	31	Bearing Bushing	1	48	Silencer	1
14	Protevtng Rubber	1	32	Bearing (6000ZZ)	2	49	Muffler	1
15	Housing	1	33	Bearing (6001Z)	2	50	Silencer	1
16	Bearing (696ZZ)	1	34	Bevel Gear (15T)	1	51	Regulator	1
17	Rear Plate	1	35	Angle Housing	1	52	O-Ring (P9)	1
18	Pin (2.5*6)	2	36	Ball Bearing (626)	1	53	O-Ring (P10)	1
19	Rotor Blade	4	37	Shaft	1	54	Snap Ring	1
20	Rotor (9T)	1	38	Bevel Gear (30T)	1	55	Valve Stem	1
21	Cylinder	1	39	Key	1	56	Spring	1
23	Front Plate	1	40	Bearing Bushing	1	57	Valve	1
24	Bearing(608ZZ)	1	41	Retainer Ring	1	58	Washer	1
25	Washer	1	42	Washer	1			