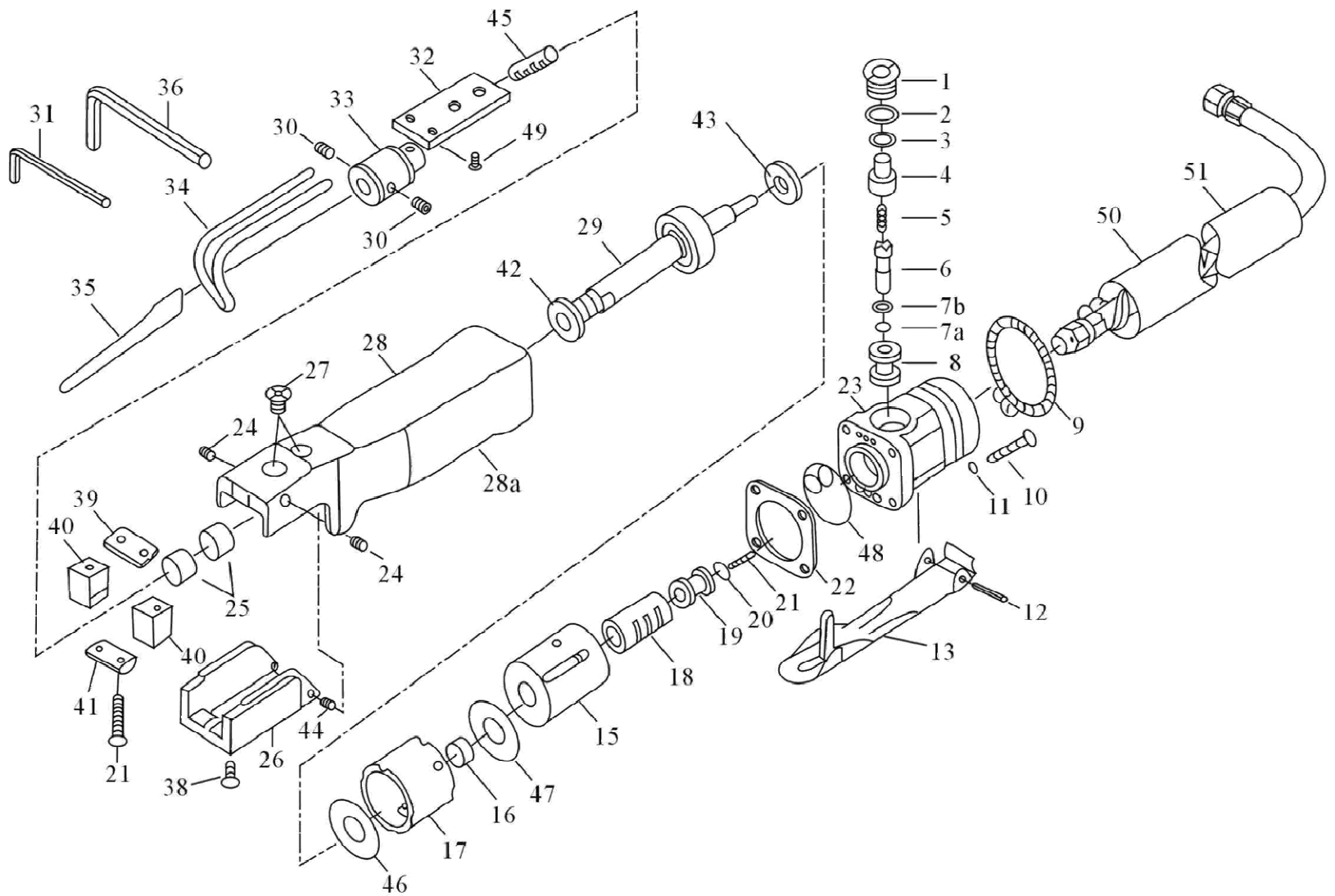


Model No. A16-B0502

AIR BODY SAW



Part No.	Description	Q'ty	Part No.	Description	Q'ty	Part No.	Description	Q'ty
1	Valve Screw	1	22	Gasket	1	40	Blade Guide	2
2	O-Ring(P11)	1	23	Valve Block	1	41	Bridge	1
3	O-Ring(P7)	1	24	Set Screw	2	42	Front Bumper	1
4	Air Controller	2	25	Bush(0810)	2	43	Rear Bumper	1
5	Valve Spring	1	26	Chuck Cover	1	44	Sprint Pin(2.5*5)	2
6	Valve Stem	1	27	Screw(M5*10)	2	45	Spring	1
7A	O-Ring(P0006)	1	28	Housing	1	46	Packing	1
7B	O-Ring(P0007)	1	28A	Plastic Wrapp	1	47	Packing	1
8	Valve Bushing	1	29	Piston Ass'y	1	48	Packing	1
9	Air Inlet	1	30	Set Screw(5/16"*5/16")	2	49	Set Screw(M5*25)	1
10	Cap Screw(M4*15)	4	31	Service Wrench(2mm)	1	50	Air Hose Ass'y 1/4	1
11	Washer(M4)	4	32	Guide Plate	1	50A	Sponge	1
12	Lever Pin(3*23)	1	33	Blade Chuck	1	51	Exhaust Hose	1
13	Throttle Lever	1	34A	Work Guide(Long)	1			
15	Valve Case	1	34B	Work Guide(Short)	1			
16	Bush(0806)	1	35A	Saw Blade(32T)	1			
17	Cylinder	1	35B	Saw Blade(24T)	1			
18	Valve Steeve	1	36	Service Wrench(4mm)	1			
19	Actuate Valve	1	38	Screw(M4*10)	1			
20	Washer(3*8*8t)	1	38A	Retaining Ring (cstw-03)	1			
21	Cap Screw(M3*23)	3	39	Uper Wear Shoe	1			