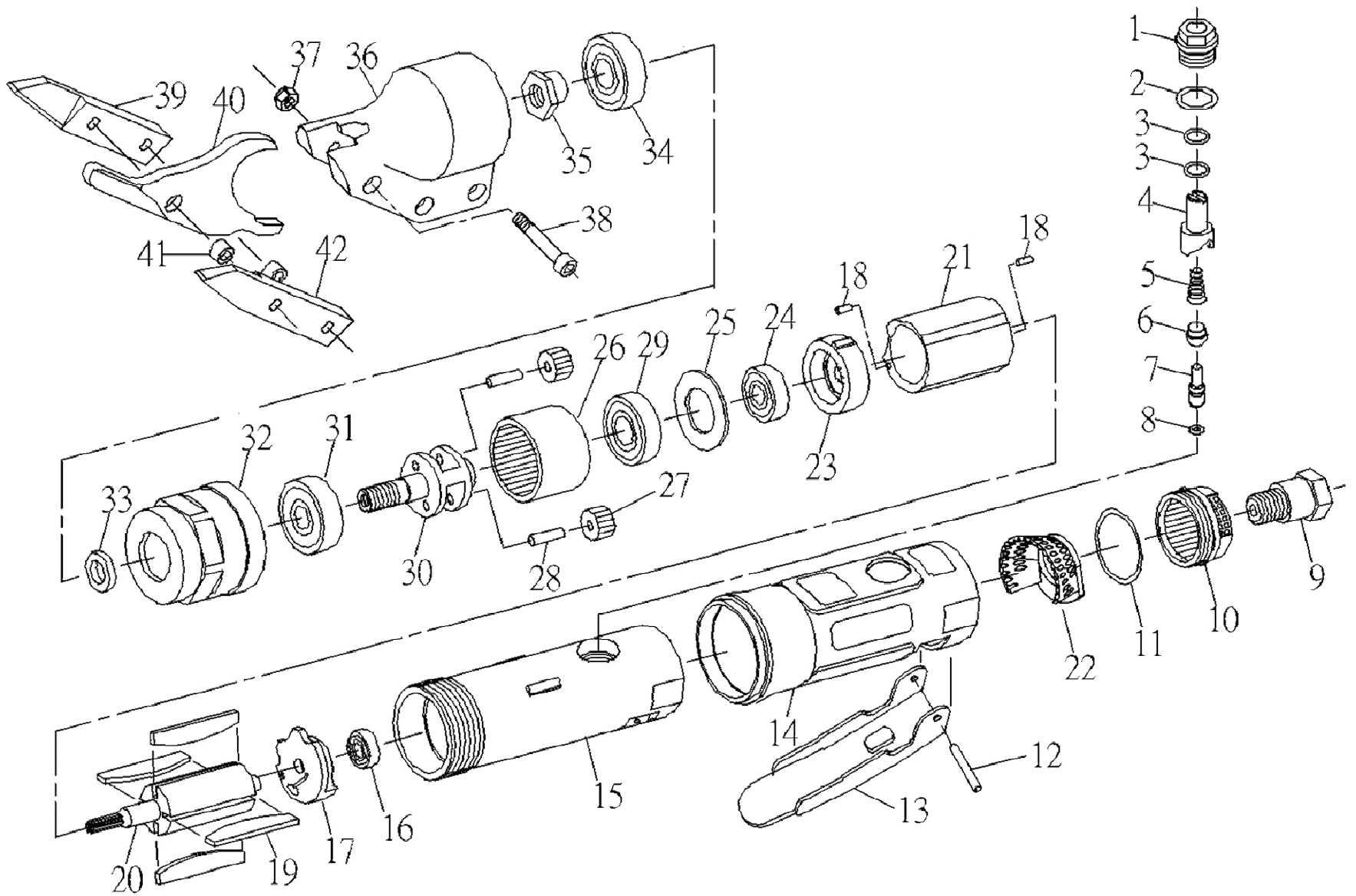


# **Model No. A16-E2903**

## **AIR METAL SHEAR**



Part No.	Description	Q'ty	Part No.	Description	Q'ty	Part No.	Description	Q'ty
01	Screw	1	15	Housing	1	29	Bearing(6001Z)	1
02	O-Ring(P12)	1	16	Bearing(696ZZ)	1	30	Gear Plate	1
03	O-Ring(P8)	2	17	Rear Plate	1	31	Bearing(6200ZZ)	1
04	Air Regulator	1	18	Pin	2	32	Clamp Nut	1
05	Spring	1	19	Rotor Blade	4	33	Washer	1
06	Valve Stem Bushing	1	20	Rotor(6T)	1	34	Bearing	1
07	Valve Stem	1	21	Cylinder	1	35	Excentric Nut	1
08	O-Ring(3.5*1.4)	1	22	Cone Muffler	1	36	Cutter Housing	1
09	Air Inlet	1	23	Front Plate	1	37	Nut	3
10	Exhaust Sleeve	1	24	Bearing(608ZZ)	1	38	Lock Screw	3
11	O-Ring(26.7*1.78)	1	25	Washer	1	39	Left Blade	1
12	Spring Pin(3*24)	1	26	Thread Ring Gear(42T)	1	40	Cneter Blade	1
13	Lever	1	27	Idler Gear(18T)	2	41	Space	2
14	Protecting Rubber	1	28	Idler Gear Pin	2	42	Right Blade	1