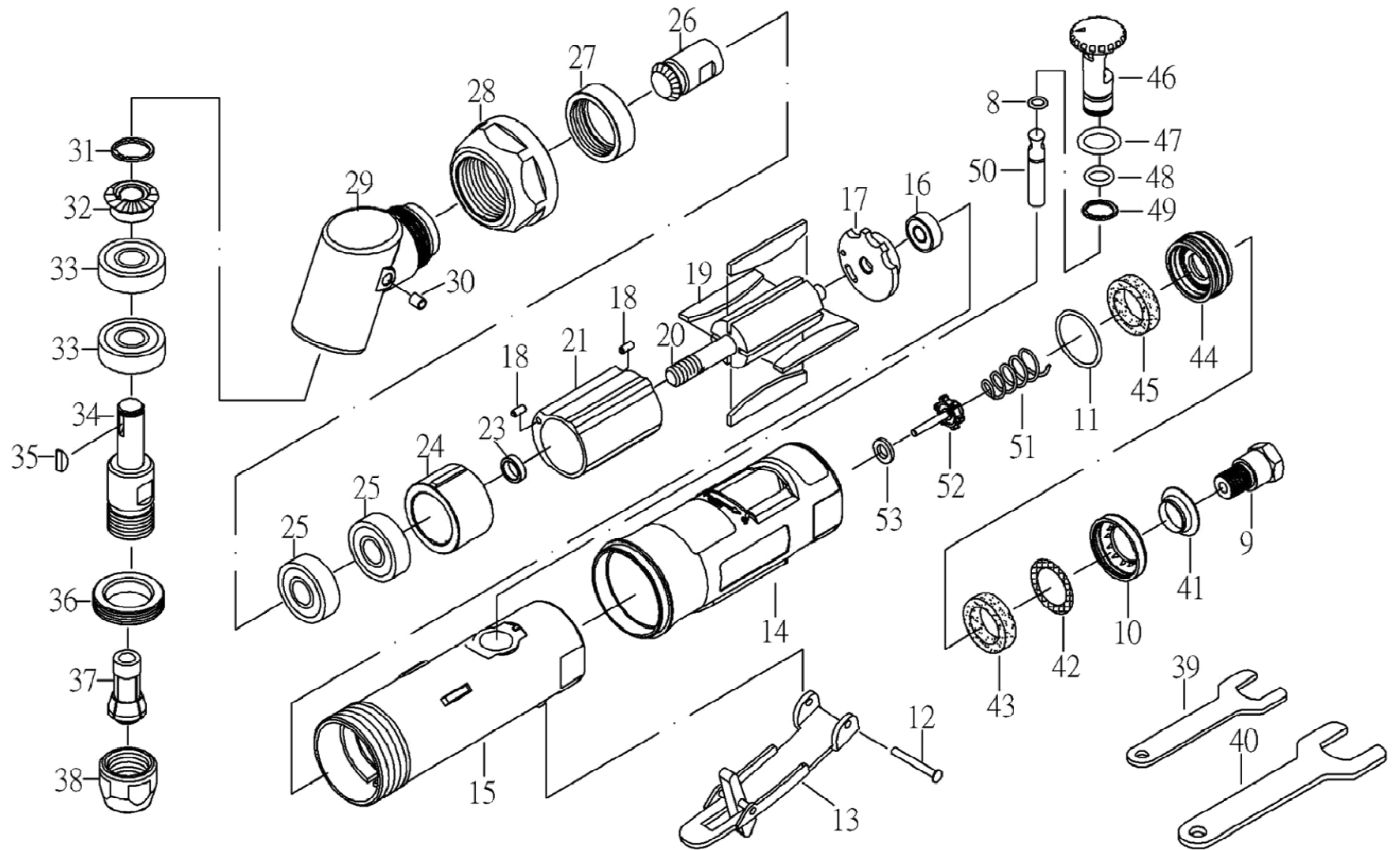


# **Model No. A11-E2924**

## **115° AIR ANGLE DIE GRINDER (LOW NOISE)**



Part No.	Description	Q'ty	Part No.	Description	Q'ty	Part No.	Description	Q'ty
8	O-Ring (3.5*1.4)	1	25	Bearing (608ZZ)	2	41	Muffler Body	1
9	Air Inlet	1	26	Bevel Gear (18T)	1	42	Stainless Mesh	1
10	Exhaust Sleeve	1	27	Clamp Nut	1	43	Silencer	1
11	O-Ring (26.7*1.78)	1	28	Clamp Nut	1	44	Muffler	1
12	Spring Pin	1	29	Angle Housing	1	45	Silencer	1
13	Lever	1	30	Oil Cup	1	46	Regulator	1
14	Protecting Rubber	1	31	Snap Ring	1	47	O-Ring (P9)	1
15	Housing	1	32	Bevel Gear (20T)	1	48	O-Ring (P10)	1
16	Bearing (696ZZ)	1	33	Bearing (6000ZZ)	2	49	Snap Ring	1
17	Rear Plate	1	34	Shaft	1	50	Valve Stem	1
18	Pin(2.5*6)	2	35	Key	1	51	Spring	1
19	Rotor Blade	4	36	Clamp Nut	1	52	Valve	1
20	Rotor	1	37	Collet	1	53	Washer	1
21	Cylinder	1	38	Clamp Nut	1			
23	Bearing Spacer	1	39	Stop Spanner (14mm)	1			
24	Front Plate	1	40	Stop Spanner (19mm)	1			