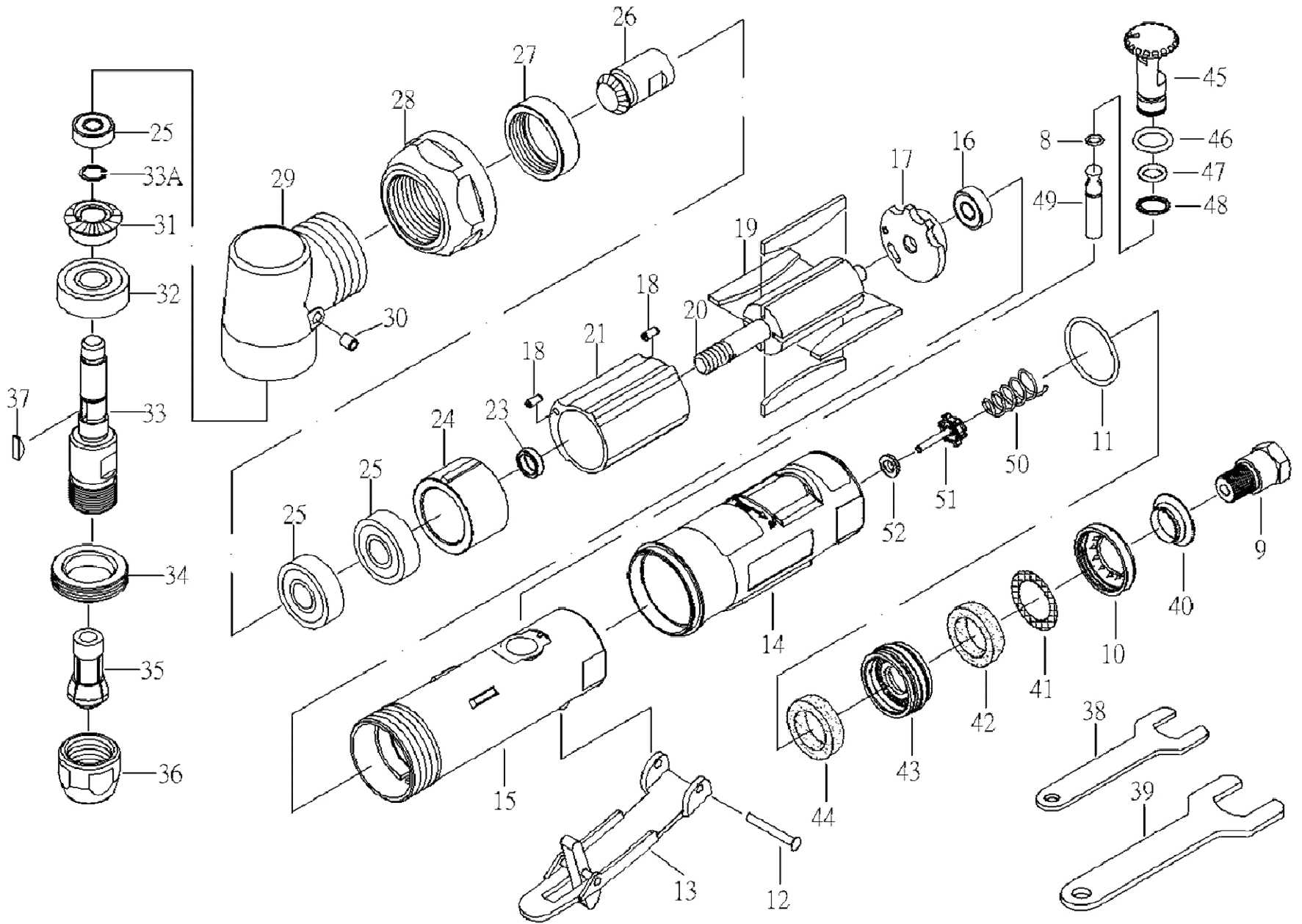


Model No. A11-E2926

AIR ANGLE DIE GRINDER (LOW NOISE)



Part No.	Description	Q'ty	Part No.	Description	Q'ty	Part No.	Description	Q'ty
08	O-Ring (3.5*1.4)	1	24	Front Plate	1	38	Stop Spanner (14M/M)	1
09	Air Inlet	1	25	Bearing(608ZZ)	3	39	Stop Spanner (19M/M)	1
10	Exhaust Sleeve	1	26	Bevel Gear (18T)	1	40	Muffler Body	1
11	O-Ring (26.7*1.78)	1	27	Nut	1	41	Stainless Mesh	1
12	Spring Pin	1	28	Clamp Nut	1	42	Silencer	1
13	Lever	1	29	Angle Housing	1	43	Muffler	1
14	Protecting Rubber	1	30	Oil Cup	1	44	Silencer	1
15	Housing	1	31	Bevel Gear (20T)	1	45	Regulator	1
16	Bearing (696ZZ)	1	32	Bearing (6000ZZ)	1	46	O-Ring (P9)	1
17	Rear Plate	1	33	Shaft	1	47	O-Ring (P10)	1
18	Pin	2	33A	Snap Ring	1	48	Snap Ring	1
19	Rotor Blade	4	34	Clamp Nut	1	49	Valve Stem	1
20	Rotor	1	35	Collet	1	50	Spring	1
21	Cylinder	1	36	Collet Nut	1	51	Valve	1
23	Bearing Spacer	1	37	Key	1	52	Washer	1