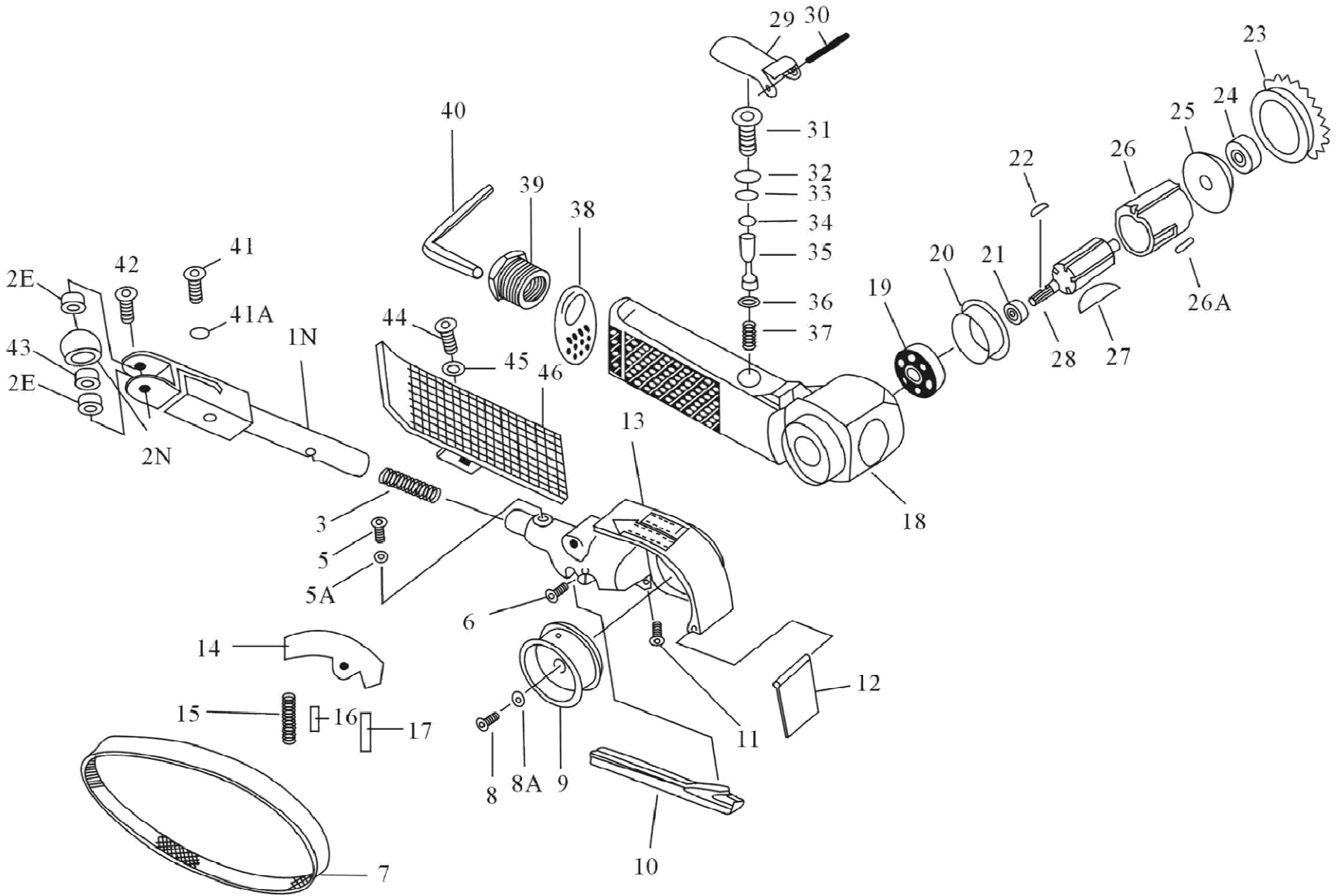


Model No. A12-B0502

AIR BELT SANDER (20 x 520 mm)



Part No.	Description	Q'ty	Part No.	Description	Q'ty	Part No.	Description	Q'ty
1N	Tension Bar 10	1	15	Spring	1	33	O-Ring (P9)	1
2	Idle Pulley Set	1SET	16	Lever Pin(2*6)	1	34	O-Ring (P9)	1
2N	Idle Pulley	1	17	Lever Pin(2*8)	1	35	O-Ring (P5)	1
2E	Ball Bearing	2	18	Housing	1	36	Valve Stem	1
3	Spring	1	19	Ball Bearing	1	37	O-Ring(3.6*2.4)	1
5	Hexagon Socket Head Bolt	1	20	End Plate B	1	38	Valve Spring	1
5A	Cup Spring	1	21	Spacer 10*13*3	1	39	Deflector	1
6	Hexagon Socket Head Bolt	1	22	Sunk Key 2*2.5*10	1	40	Air Inlet	1
7	Grinding Belt(#100)	1	23	Cap	1	41	Hexagon Wrench Key4	1
7A	Grinding Belt(#80)	1	24	Ball Bearing	1	41A	Screw	1
8	Hexagon Socket Head Bolt	1	25	End Plate A	1	42	C-Cliper	1
8A	Washer	1	26	Cylinder	1	43	Idle Pulley Screw	1
9	Drive Pulley	1	27	Pin (3*6)	5	44	Washer	1
10	Flat Shoe	1	28	Blade Assy	1	45	Screw	1
11	Hexagon Socket Head Bolt	1	29	Rotor	1	46	Spring Washer (AW6)	1
12	Dust Cover	1	30	Throttle Lever	1			
13	Guard Body	1	31	Lever Pin(3*23)	1			
14	Tension Bar	1	32	Valve Body	1			