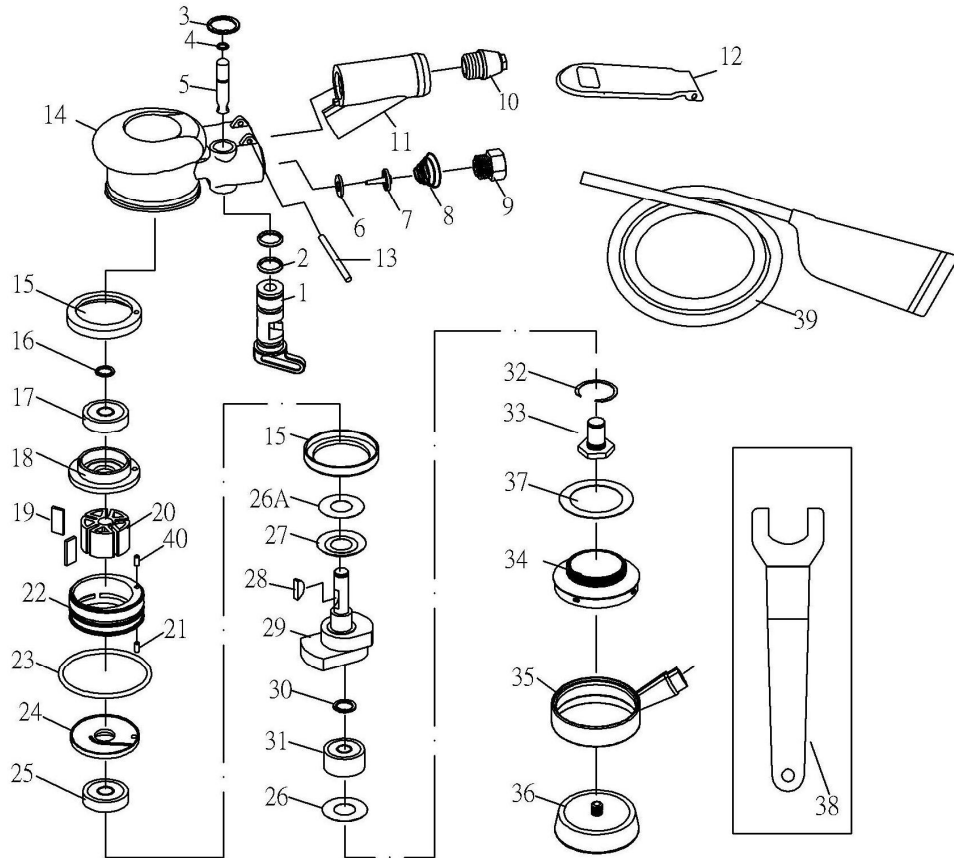


# **Model No. A12-E2930S**

## **3" RANDOM ORBITAL SANDER**



Part No.	Description	Q'ty	Part No.	Description	Q'ty	Part No.	Description	Q'ty
01	REGULATOR	1	17	BEARING (6000ZZ)	1	32	SNAP RING	1
02	O-RING	2	18	REAR PLATE	1	33	SHAFT	1
03	SNAP RING	1	19	ROTOR BLADE	5	34	HOUSING COVER	1
04	O-RING	1	20	ROTOR	1	35	SHROUD	1
05	VALVE STEM	1	21	PIN(3*8)	1	36	PAD HOOK-UP	1
06	WASHER	1	22	CYLINDER	1	37	WASHER	1
07	VALVE	1	23	O-RING	1	38	STOP SPANNER	1
08	SPRING	1	24	FRONT PLATE	1	39	RUBBER HOSE & BAG	1
09	AIR INLET	1	25	BEARING(6002ZZ)	1	40	PIN (3*14L)	1
10	CONE MUFFLER NUT	1	26	WASHER(0.5M/M)	1			
11	VACUUM ADAPTER	1	26A	WASHER(0.4M/M)	1			
12	LEVER	1	27	WASHER(0.2M/M)	1			
13	PIN(3.3*26)	1	28	ROTOR KEY	1			
14	HOUSING	1	29	MOTOR SHAFT BALANCER(3")	1			
15	RUBBER BUSHING	1	30	SNAP RING	1			
16	SNAP RING	1	31	BEARING(5001)	1			