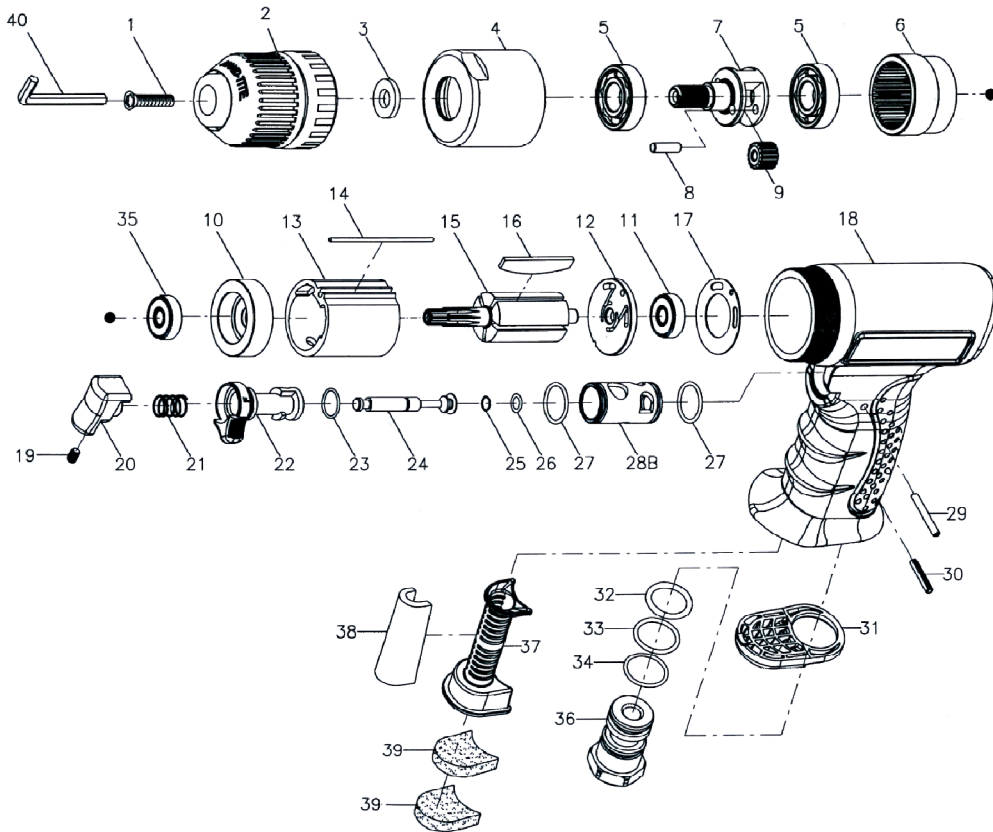


# **Model No. A14-M15C01**

## **3/8" COMPOSITE REVERSIBLE AIR DRILL**



Part No.	Description	Q'ty	Part No.	Description	Q'ty
1	Chuck Screw(Left Thread)	1	22	Reverse Knob	1
2	Keyless Chuck(3/8")	1	23	O-Ring	1
3	Chuck Washer	1	24	Valve Stem	1
4	Clamp Nut	1	25	O-Ring	1
5	Ball Bearing	2	26	O-Ring	1
6	Idler Gear Housing A	1	27	O-Ring	2
7	Gear Cage B	1	28B	Valve Sleeve	1
8	Pin	3	29	Pin	1
9	Idler Gear	2	30	Spring Pin	1
10	Front End Plate	1	31	Exhaust Deflector	1
11	Ball Bearing	1	32	O-Ring	1
12	End Plate	1	33	O-Ring	1
13	Cylinder	1	34	O-Ring	1
14	Pin	1	35	Ball Bearing	1
15	Rotor	1	36	Air Inlet(1/4"PF)	1
16	Rotor Blade	5		Air Inlet(1/4"PT)	
17	Motor Gasket	1		Air Inlet(1/4"NPT)	
18	Motor Housing	1	37	Muffler Tube	1
19	Trigger Screw	1	38	Muffler	1
20	Trigger	1	39	Muffler	2
21	Spring	1	40	Hex. Wrench	1