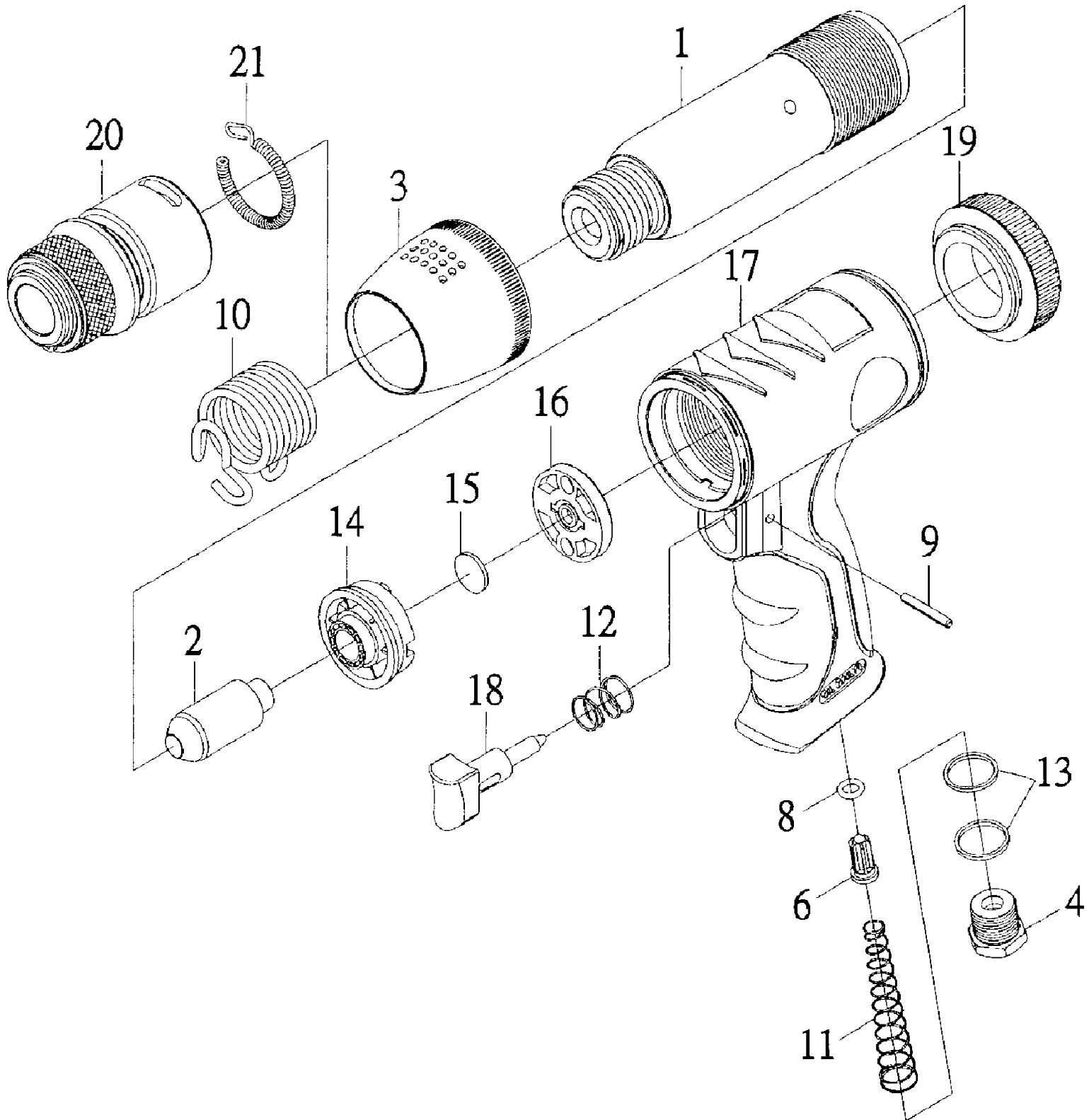


Model No. A16-R04C01K

190MM COMPOSITE BODY VIBRATION-DAMPED AIR HAMMER KIT



Part No.	Description	Q'ty	Part No.	Description	Q'ty
1	Cylinder-Round	1	12	Spring	1
	Cylinder-Hex	1	13	Shim	2
2	Piston	1	14	Case Valve	1
3	Exhaust Cover	1	15	Disk Valve	1
4	Air Inlet Bushing	1	16	Lid Valve	1
6	Slip	1	17	Handle	1
8	O-Ring (d6.0xW2.0)	1	18	Button	1
9	Spring Pin (φ3.5x24L)	1	19	Air Cushion	1
10	Spring Retainer	1	20	Quick Change Retainer	1
11	Spring	1	21	Lock Spring	1